

auto electrical parts

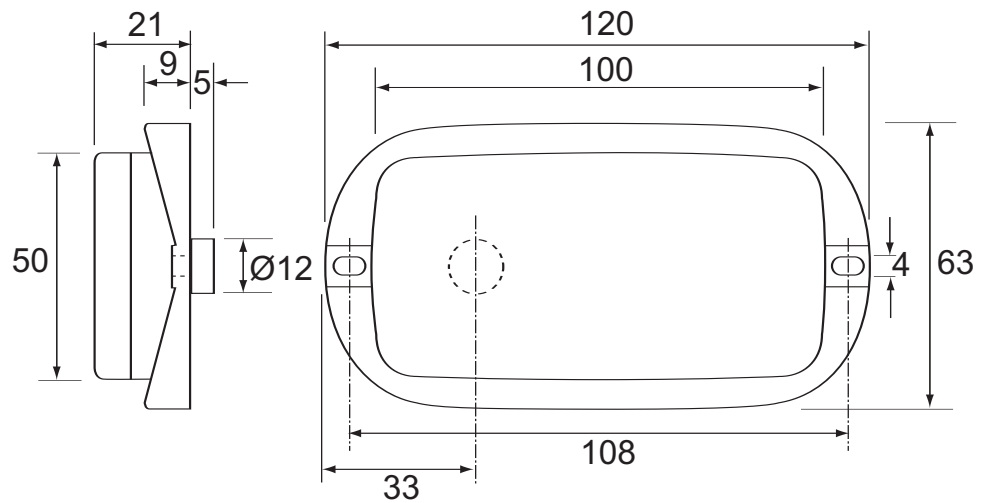
Technical Information Sheet

Part No. 0-167-54

Green LED ABS marker lamp, 24 volt with reflex reflector and flying leads (500mm). I 120 x w 21 x h 63. Protected to IP67. EEC and ECE approved.



Technical Drawing (not to scale)



Specification

Type	Green ABS marker lamp
Voltage rating	24 volt dc
Lens material	Acrylic
LEDs	4
Leads	450mm
Weight	70g
Dimensions	I 120 x w 21 x h 63mm
Approvals	EEC and ECE
Protection	IP67

The information contained in this document is correct to the best of our knowledge at the time of printing. However, specifications may change at any time without notice.